

## PROJECT NAME

# 3PDT BYPASS

## DOCUMENT VERSION

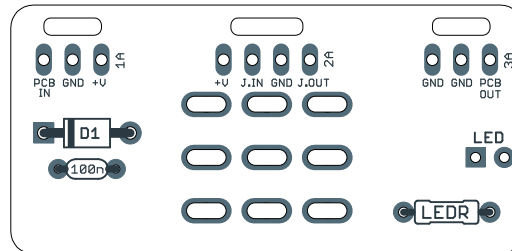
1.0.0 (2021-05-22)

## BUILD DIFFICULTY

■□□□□ Beginner

## PROJECT SUMMARY

The bypass PCB that normally comes attached to the main PCB, available on its own as a replacement or if you want to use it for your own build.



*Actual size is 1.78" x 0.87".*

## PROJECT OVERVIEW

The 3PDT Bypass PCB is a direct replacement for the bypass boards that are included with most Aion FX projects in the standard 125B format. It is primarily intended for when the included 3PDT board is damaged during assembly, but it can also be used on its own for other brands of PCBs if you like the format.

Determining compatibility with Aion FX projects is simple: if the bypass PCB that comes with the main PCB looks like the one above, it'll work. Some projects also include a filtering resistor in series with the power supply, so 3 components on the left side instead of just 2. This bypass PCB is still compatible with these as well—the resistor is always optional and the circuit will work fine without it.

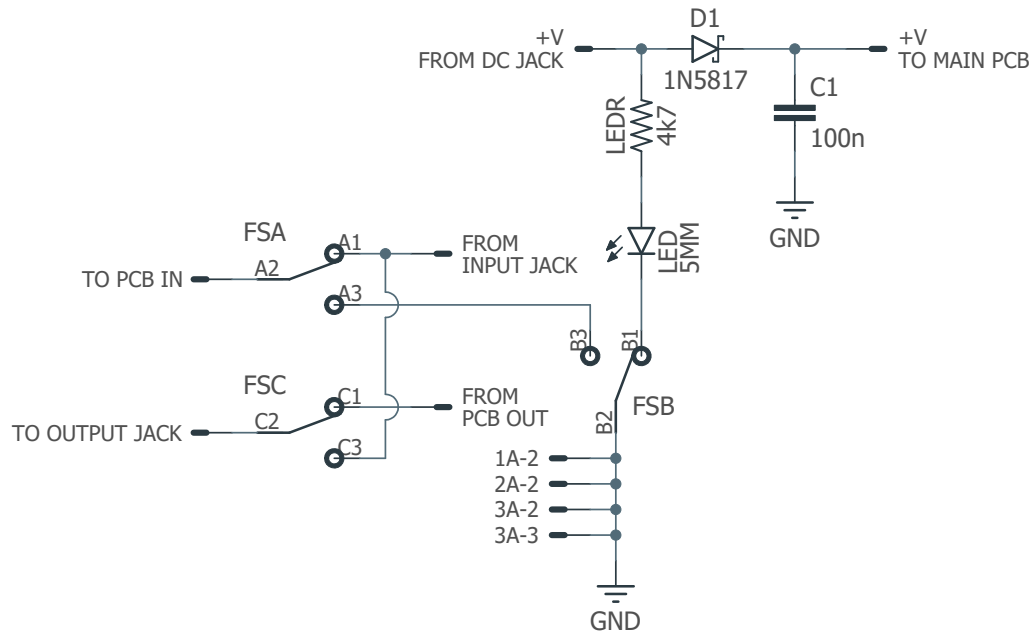
It is not compatible with specialized bypass PCBs such as the Refractor or Cornish-based projects that have a buffer switch, or that have any other circuitry besides polarity protection and filtering. Again, if yours doesn't look mostly the same as the one above (possibly including an additional resistor) then it's not going to work.

## PARTS LIST

PART	QTY	TYPE	NOTES
1N5817 (D1)	1	Schottky diode, DO-41	Can also substitute 1N4001, but the output voltage will be slightly lower.
100n (0.1uF)	1	MLCC capacitor, X7R	
LEDR	1	Metal film resistor, 1/4W	LED current-limiting resistor. Recommended value is 4.7k.

# SCHEMATIC

---



## LICENSE & USAGE

---

**No direct support is offered for these projects beyond the provided documentation.** It's assumed that you have at least some experience building pedals before starting one of these. Replacements and refunds cannot be offered unless it can be shown that the circuit or documentation are in error.

**All of these circuits have been tested in good faith in their base configurations.** However, not all the modifications or variations have necessarily been tested. These are offered only as suggestions based on the experience and opinions of others.

**Projects may be used for commercial endeavors in any quantity** unless specifically noted. No attribution is necessary, though a link back is always greatly appreciated. The only usage restrictions are that **(1) you cannot resell the PCB as part of a kit without prior arrangement, and (2) you cannot “goop” the circuit, scratch off the screenprint, or otherwise obfuscate the circuit to disguise its source.** (In other words: you don't have to go out of your way to advertise the fact that you use these PCBs, but please don't go out of your way to hide it. The guitar effects industry needs more transparency, not less!)

## DOCUMENT REVISIONS

---

**1.0.0 (2021-05-22)**

Initial release.