

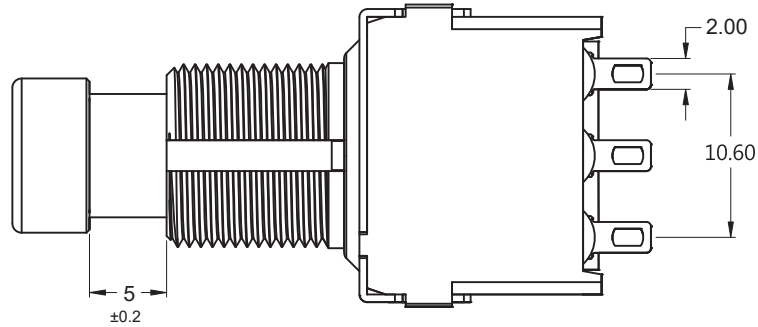
3PDT STOMP SWITCH

Datasheet

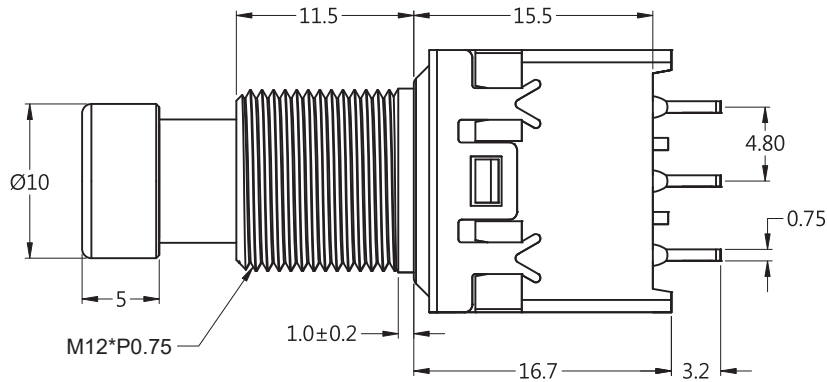
All dimensions shown in millimeters (mm)



FRONT VIEW



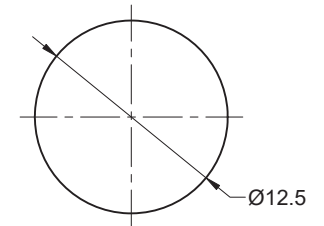
SIDE VIEW



SPECIFICATIONS

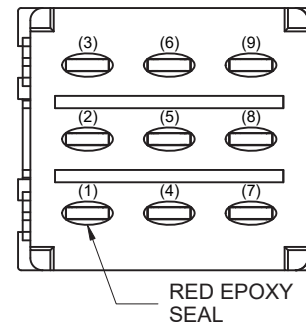
Function	Latching
Actuating force	3kg ± 0.8 / 106oz ± 28 oz
Mechanical life	30,000 cycles
Contact resistance (<i>maximum</i>)	30MΩ
Insulation resistance (<i>minimum</i>)	100MΩ 500VDC
Operating temperature	-10°C to +70°C
Rating	1A @ 9VDC
Certification	RoHS & Lead-Free
Included hardware	Nut (2), lock washer (1), washer (1)

DRILL DIMENSIONS

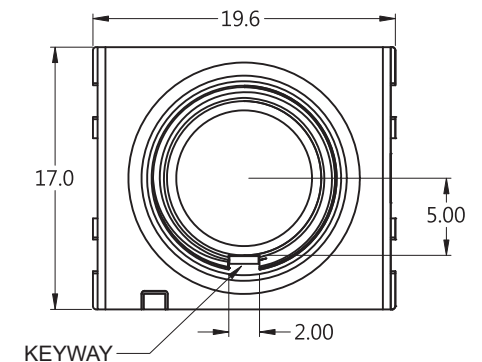


SWITCH FUNCTION		TERMINAL CONNECTIONS
ON	ON	2-1, 5-4, 8-7 ON 2-3, 5-6, 8-9 ON

BOTTOM VIEW



TOP VIEW



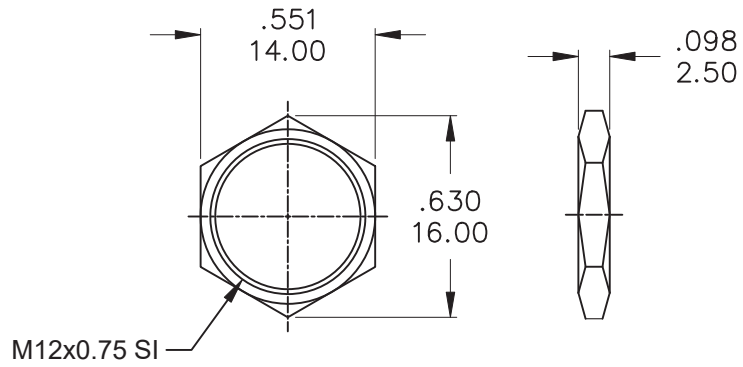
3PDT STOMP SWITCH

Mounting hardware

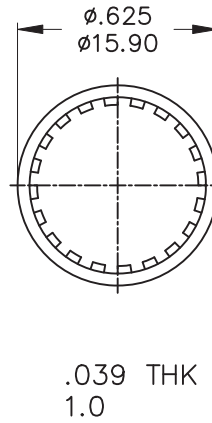
Dimensions shown in inches and millimeters



NUT



LOCK WASHER



WASHER

